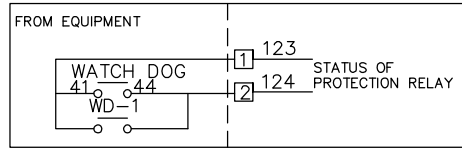
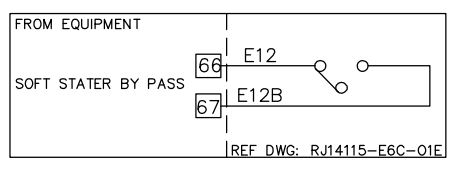
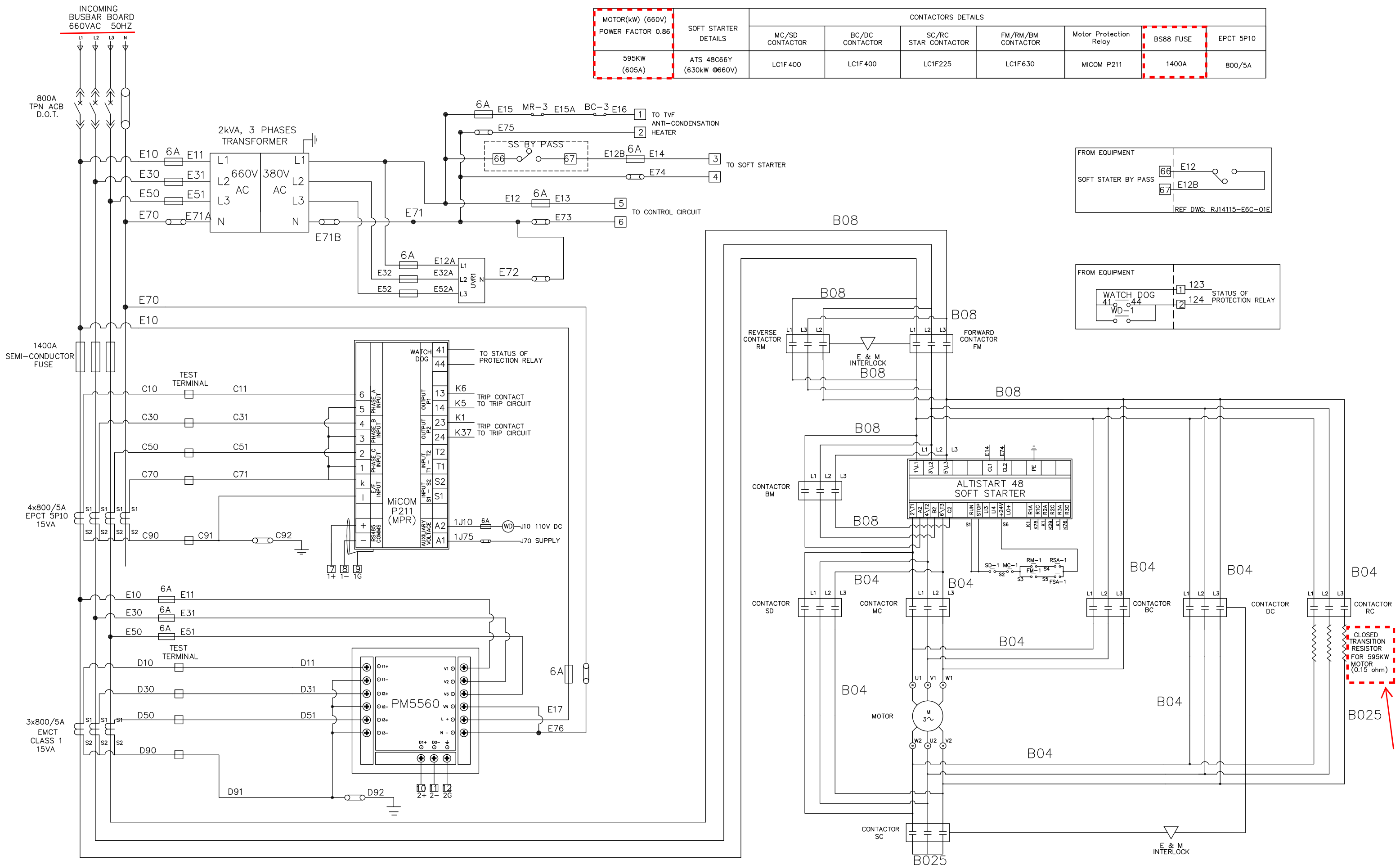


# SOFT STARTER WITH WYE/DELTA CLOSED TRANSITION STARTING AND FORWARD/REVERSE (BI-DIRECTION) (TWO STAGE FAN)

MOTOR(kw) (660V) POWER FACTOR 0.86	SOFT STARTER DETAILS	CONTACTORS DETAILS					Motor Protection Relay	BS88 FUSE	EPCT 5P10
		MC/SD CONTACTOR	BC/DC CONTACTOR	SC/RC STAR CONTACTOR	FM/RM/BM CONTACTOR				
595KW (605A)	ATS 48C66Y (630kW @660V)	LC1F400	LC1F400	LC1F225	LC1F630	MICOM P211	1400A	800/5A	



Control wiring diagram of Bi-direction fan at 660V A.C.

CLOSED  
TRANSITION  
RESISTOR  
FOR 595KW  
MOTOR  
(0.15 ohm)