

34450A Multimeter 5.5 Digit Dual Display, Benchtop DMM

Achieve a breakthrough in throughput

Introduction

The 34450A digital multimeter is an intuitive and easy-to-use tool that provides a wide range of measurement functions and powerful features.



Feature

- Fast reading speed of up to 190 readings/sec
- 0.015% DCV accuracy
- Multiple connectivity options – USB 2.0, Serial Interface (RS-232) and GPIB
- 11 measurement functions; DC voltage & current, True RMS AC voltage & current, 2- and 4-wire resistance, frequency, continuity, diode test, capacitance and temperature
- Ultra-bright OLED with dual display capability
- Up to 50,000 memory points for data logging
- Built-in Histogram function
- With Fluke 45 and Fluke 8808A code compatibility
- BenchVue now included

Achieve Throughput Breakthrough

Turbo charge your production line with the 34450A digital multimeter. With its fast speed of up to 190 readings per second you can now increase your manufacturing throughput tremendously. Get highly accurate, repeatable and trustworthy measurements with the 0.015% DCV accuracy designed to meet general industrial and educational needs.

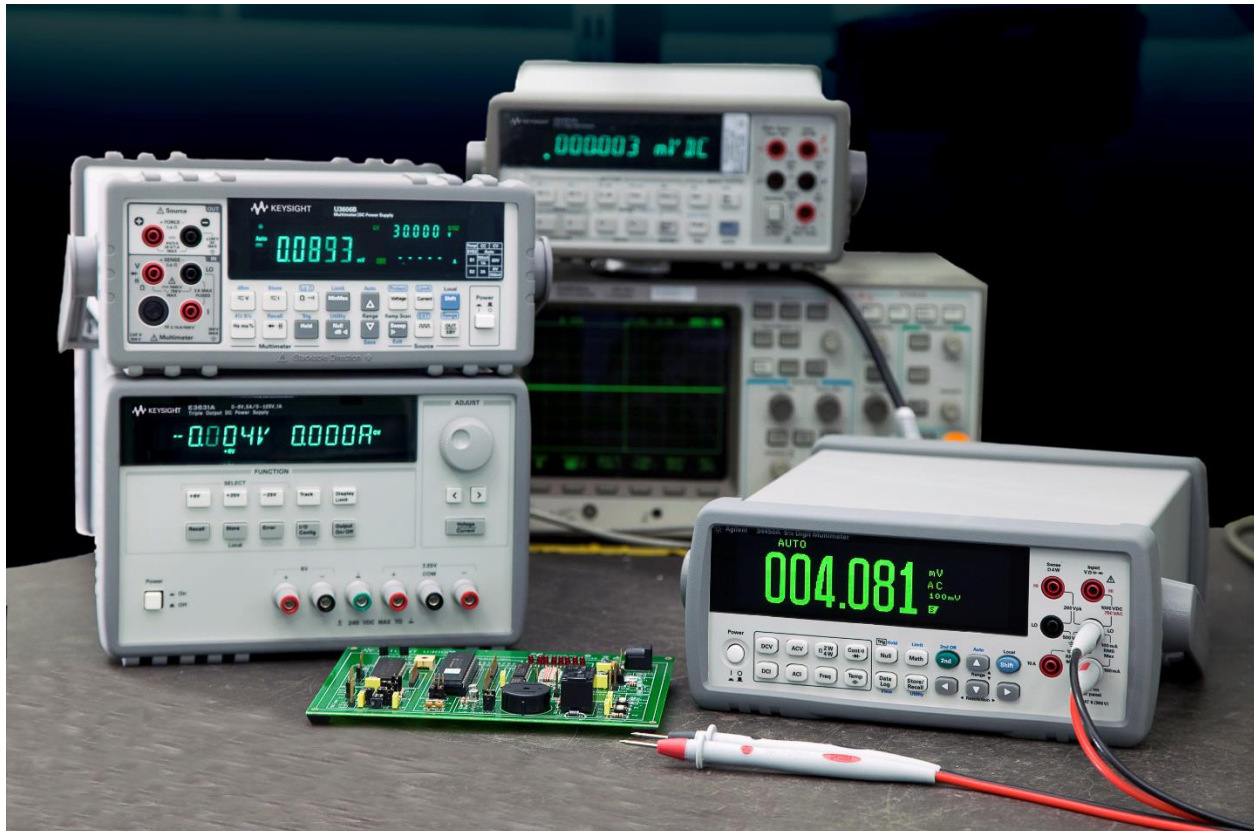


Figure 1. Bright OLED display for excellent viewing experience when making measurements

Intuitive and multipurpose device

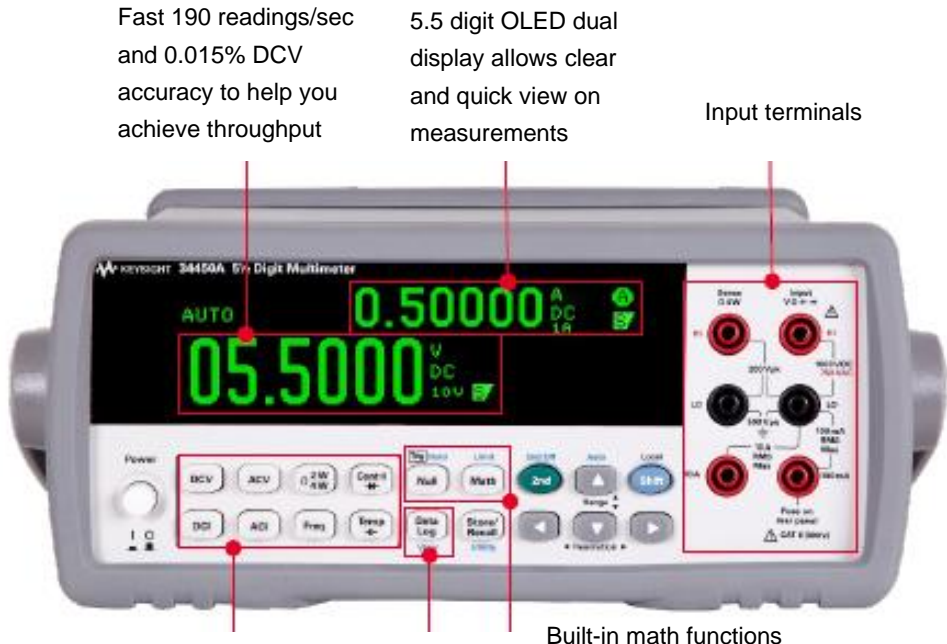
The 34450A is an intuitive and easy to use tool that provides a wide range of measurement functions such as DC voltage, DC current, True RMS AC voltage and AC current, 2-wire and 4-wire resistance, frequency, diode test, continuity, capacitance and temperature. Simplify your day-to-day task with up to 50,000 memory points, allowing you to capture and log up to 14 hours of data. Built-in with histogram and basic statistical functions, you can now do simple data analysis within the unit itself. With its ultra-bright OLED dual display, different measurements can be performed ensuring you get the right readings at first glance.

More flexibility with multiple connectivity

Multiple connectivity options such as USB 2.0, Serial Interface (RS-232) and GPIB port provides greater flexibility to connect DMM to a PC for data access and retrieval for analysis. With the option to connect to a PC, this enables the 34450A to work with Keysight Connectivity software and can be controlled remotely via SCPI commands or Command Expert. The IVI-COM driver is also included to ensure an easy integration with different programming environments.

Easy migration

Upgrading your obsoleted DMM is made easy with minimal changes to test program. To ensure both forward and backward compatibility, the 34450A includes SCPI, Fluke 45 or Fluke 8808A commands. Experience a quick, easy and painless migration as it allows you to quickly transfer your existing test programs on the Keysight 34450A.



Fast 190 readings/sec and 0.015% DCV accuracy to help you achieve throughput

5.5 digit OLED dual display allows clear and quick view on measurements

Input terminals

Built-in math functions

11 measurement functions; DC voltage & current, True RMS AC voltage & current, frequency, continuity, diode test,

Up to 50,000 memory points for data logging and histogram function



Multiple choices of connectivity and trigger in/out capability for production data analysis

Kensington lock to better secure the unit

Figure 2. The front and rear view of 34450A

BenchVue Software (Now included)

Data capture simplified. Click. Capture. Done.

BenchVue software for the PC makes it simple to connect, control, capture and view Keysight's DMMs simultaneously with other Keysight bench instruments with no additional programming.

- Visualize multiple measurements simultaneously
- Easily log data, screen shots and system state
- Rapidly prototype custom test sequences
- Recall past state of your bench to replicate results
- Export measurement data in desired format fast
- Quickly access manuals, drivers, FAQs and videos
- Monitor and control bench from mobile devices

The Digital Multimeter App within BenchVue enables control of digital multimeters to visualize measurements, perform unrestricted data logging and statistical analysis.



Figure 3. See your measurements across instruments in one place to quickly correlate measurement activities and obtain actionable insights.

Benefit from a new perspective by visualizing multiple DMM's at the same time

Display single measurements, charts, tables, or histograms from a single instrument or multiple DMMs simultaneously to correlate trends you might otherwise miss.

Record measurements and export results in a few clicks

Log and export data quickly to popular tools such as Microsoft Excel, Microsoft Word and MATLAB for documentation or further analysis.

Access and control tests on your DMM remotely

With the companion BenchVue Mobile app, monitor and respond to long-running tests from anywhere. Download BenchVue software at no cost today

www.keysight.com/find/benchvue

*One hour limit in no-cost version.



Figure 4. BenchVue Software - Data capture simplified. Click. Capture. Done

Specifications

Specifications are for 90 minutes warm-up time, slow mode, NULL function enabled, and calibration temperature within 18 °C - 28 °C (unless stated otherwise)

DC specification

Specifications are for 90 minutes warm-up time, slow mode, and calibration temperature within 18 °C - 28 °C

Table 1. DC accuracy ± (% of reading + % of range)

Function	Range ¹	Test current or burden voltage	Input impedance	1 year 23 °C ± 5 °C	Temperature coefficient / °C	
					0 °C - 18 °C	28 °C - 55 °C
DC voltage	100.000 mV	–	10 MΩ or > 10 GΩ	0.018 + 0.008	0.0020 + 0.0008	
	1.00000 V	–	10 MΩ or > 10 GΩ	0.015 + 0.005	0.0015 + 0.0008	
	10.0000 V	–	10 MΩ	0.015 + 0.005	0.0020 + 0.0008	
	100.000 V	–	10 MΩ	0.015 + 0.005	0.0020 + 0.0008	
	1000.00 V	–	10 MΩ	0.015 + 0.005	0.0020 + 0.0008	
Resistance (2-wire) ²	100.000 Ω	1 mA	–	0.050 + 0.008	0.0060 + 0.0008	
	1.00000 kΩ	500 μA	–	0.050 + 0.008	0.0060 + 0.0005	
	10.0000 kΩ	100 μA	–	0.050 + 0.005	0.0060 + 0.0005	
	100.000 kΩ	10 μA	–	0.050 + 0.005	0.0060 + 0.0005	
	Resistance (4-wire) ²	1.00000 MΩ	1 μA	–	0.060 + 0.005	0.0060 + 0.0005
	10.0000 MΩ	100 nA	–	0.250 + 0.005	0.0250 + 0.0005	
	100.000 MΩ	100 nA/10 MΩ	–	2.000 + 0.005	0.3000 + 0.0005	
DC current	100.000 μA	< 0.02 V	–	0.05 + 0.015	0.007 + 0.0015	
	1.00000 mA	< 0.2 V	–	0.05 + 0.007	0.007 + 0.0010	
	10.0000 mA	< 0.02 V	–	0.05 + 0.015	0.008 + 0.0015	
	100.000 mA	< 0.2 V	–	0.05 + 0.007	0.008 + 0.0010	
	1.00000 A	< 0.2 V	–	0.10 + 0.015	0.012 + 0.0015	
	10.0000 A ³	< 0.6 V	–	0.25 + 0.007	0.015 + 0.0010	
Continuity ⁴	1000 Ω	0.5 mA	–	0.1 + 0.1	0.005 + 0.005	
Diode test ⁵	1.0000 V	0.5 mA	–	0.05 + 0.03	0.005 + 0.005	

- 20% over range on all ranges except 1000 VDC and 10 A range.
- Specifications are for 4-wire Ω or 2-wire Ω using NULL function. If without NULL function, add 0.2 Ω additional error.
- Specification applies with settling time of (2.0*Current²) seconds. For example, DCI: 3A will require 18s of settling time.
- Continuity thresholds is fixed at least than 10 Ω. Available in fast mode only.
- Specifications are for the voltage measured at the input terminals only. Available in fast mode only.

AC specifications

Specifications are for 90 minutes warm-up time, slow mode, and calibration temperature within 18 °C - 28 °C

Table 2. AC Accuracy ± (% of reading + % of range)

Function	Range ¹	Frequency	1 year 23 °C ± 5 °C	Temperature coefficient / °C	
				0 °C - 18 °C	28 °C - 55 °C
True RMS AC voltage ²	100.000 mV	20 Hz – 45 Hz	1.0 + 0.1	0.02 + 0.02	0.02 + 0.02
		45 Hz – 10 kHz	0.2 + 0.1	0.02 + 0.02	0.02 + 0.02
		10 kHz – 30 kHz	1.5 + 0.3	0.05 + 0.02	0.05 + 0.02
		30 kHz – 100 kHz ³	3.0 + 0.3	0.10 + 0.02	0.10 + 0.02
	1.00000 V to 750.00 V	20 Hz – 45 Hz	1.0 + 0.1 ⁴	0.02 + 0.02	0.02 + 0.02
		45 Hz – 10 kHz	0.2 + 0.1	0.02 + 0.02	0.02 + 0.02
		10 kHz – 30 kHz	1.5 + 0.3	0.05 + 0.02	0.05 + 0.02
		30 kHz – 100 kHz ³	3.0 + 0.3 ⁵	0.10 + 0.02	0.10 + 0.02
True RMS AC current ²	10.0000 mA to 10.0000 A	20 Hz – 45 Hz	1.5 + 0.1	0.02 + 0.02	0.02 + 0.02
		45 Hz – 1 kHz	0.5 + 0.1	0.02 + 0.02	0.02 + 0.02
		1 kHz – 10 kHz ⁶	2.0 + 0.2	0.02 + 0.02	0.02 + 0.02

Table 3. Frequency Accuracy ± (% of reading + 3 counts)

Function	Range ⁷	Frequency	1 year 23 °C ± 5 °C	Temperature coefficient / °C	
				0 °C - 18 °C	28 °C - 55 °C
Frequency	100.000 mV to 750.00 V ⁷	20 Hz – 300 kHz ⁸	0.02 + 3	0.005	0.005
	10.0000 mA to 10.0000 A	20 Hz – 10 kHz ⁹	0.02 + 3	0.005	0.005

- 20% over range on all ranges except ACV 750 V and ACI 10 A.
- Specifications are for sine-wave inputs more than the 5 % of range except 750 V range. Input signal must be more than 50 Vrms for 750 V range. Maximum crest factor of 3 at full scale. Input impedance is 1 MΩ in parallel with capacitance less than 120 pF, AC couple with up to 400 DCV
- Additional error to be added as frequency > 30 kHz and signal input < 10% of range. 30 kHz to 100 kHz: 0.003% of full scale per kHz.
- For input < 200 V rms.
- For input < 300 V rms.
- Frequencies > 5 kHz are typical for all ranges.
- The frequency can be measured up to 1 MHz as 0.5 V signal to 100 mV/1 V ranges.
- 10% of range to full scale input on all ranges except where noted. 100 mV range specifications are for full scale or greater inputs. For inputs from 10 mV to 100 mV, multiply total % of reading error by 10.
- 10% of range to full scale input on all ranges except where noted. 10 mA range specifications are for full scale or greater inputs. For inputs from 1 mA to 10 mA, multiply total % of reading error by 10.

Table 4. Frequency resolution

Function	Range	Frequency	Resolution
Frequency	100.000 mV to 750.00 V ¹	119.999 Hz	0.001 Hz
		1.19999 kHz	0.00001 kHz
		11.9999 kHz	0.0001 kHz
		119.999 kHz	0.001 kHz
		1.19999 MHz	0.00001 MHz

Temperature and capacitance specifications

Specifications are for 90 minutes warm-up time, slow mode, and calibration temperature within 18 °C - 28 °C

Table 5. Temperature and capacitance accuracy ± (% of reading + % of range)

Function	Range ²	Probe type or test current	1 year 23 °C ± 5 °C	Temperature coefficient / °C
				0 °C - 18 °C 28 °C - 55 °C
Temperature	– 80.0 °C to 150 °C – 110.0 °F to 300.0 °F	5 kΩ thermistor probe	Probe accuracy + 0.2 °C	0.002 °C
		5 kΩ thermistor probe	Probe accuracy + 0.4 °F	0.0036 °F
Capacitance	1.000 nF	100 nA	–	–
	10.00 nF	100 nA	1 + 0.5	0.02 + 0.001
	100.0 nF	1.0 µA	1 + 0.5	0.02 + 0.001
	1.000 µF	1.0 µA	1 + 0.5	0.02 + 0.001
	10.00 µF	10 µA	1 + 0.5	0.02 + 0.001
	100.0 µF	100 µA	1 + 0.5	0.02 + 0.001
	1.000 mF	0.5 mA	1 + 0.5	0.02 + 0.001
	10.00 mF	1.0 mA	2 + 0.5	0.02 + 0.001

1. The frequency can be measured up to 1 MHz as 0.5 V signal to 100 mV/1 V ranges.
2. 20% over range on all ranges.

Operating specifications

Table 6. Operating specifications on single display (approximate)

Function	Resolution	Function change (sec) ¹	Range change (sec) ²	Auto range (sec) ³	Reading rate/sec ⁴		
					USB	GPIB	Serial
ACV	Slow (5.5)	2.6	2.5	4.6	1.9	1.9	1.9
	Med (4.5)	1.2	1.2	1.5	19	19	19
	Fast (4.5)	1.1	1.1	1.2	160	99	33
DCV	Slow (5.5)	1.3	1.3	1.6	1.7	1.7	1.7
	Med (4.5)	0.6	0.7	0.8	49	49	24
	Fast (4.5)	0.6	0.7	0.7	190	117	34
2-wire Ω	Slow (5.5)	1.2	1.3	1.6	1.4	1.4	1.4
	Med (4.5)	0.4	0.5	0.6	49	49	24
	Fast (4.5)	0.4	0.5	0.5	165	110	32
4-wire Ω	Slow (5.5)	1.2	1.4	1.9	1	1	1
	Med (4.5)	0.6	0.6	1.1	5.2	5.3	4.7
	Fast (4.5)	0.6	0.6	1	5.9	5.9	5.3
Frequency ⁵	Slow (5.5)	2.1	2.1	2.6	0.9	0.9	0.9
	Med (4.5)	1.2	1.2	1.7	0.9	0.9	0.9
	Fast (4.5)	—	—	—	—	—	—
ACI	Slow (5.5)	2.6	2.6	6.2	1.9	1.9	1.9
	Med (4.5)	1.2	1.2	1.7	19	19	33
	Fast (4.5)	1.1	1.2	1.3	160	99	33
DCI	Slow (5.5)	1.3	1.3	1.9	1.7	1.7	1.7
	Med (4.5)	0.6	0.7	0.9	49	49	24
	Fast (4.5)	0.6	0.7	0.7	190	116	36
Continuity	4.5	0.1	—	—	165	111	33
Temperature	4.5	0.5	—	—	4.2	4.2	3

1. Time to change from 2-wire resistance to this specified function and to take at least one reading using SCPI "FUNC" and "READ?" commands.
2. Time to change from one range to the next higher range and to take at least one reading using SCPI "FUNC" and "READ?" commands.
3. Time to automatically change one range and to take at least one reading using SCPI "CONF AUTO" and "READ?" commands.
4. Number of measurements using SCPI "READ?" command when front panel display is off using "DISP OFF" command.
5. Reading rate depends on signal frequency ≥ 20 Hz.

Supplemental measurement specifications

Table 7. Supplemental measurement specifications

Specification measurement	Specification	
DC voltage	Measuring method:	Sigma delta A-to-D converter
	Input resistance:	> 10 GΩ ± 2% range (selectable 100 mV, 1 V ranges) 10 MΩ ± 2% range (typical)
	Input protection:	1000 V on all ranges (HI terminal)
Resistance	Measurement method:	2-wire or 4-wire Ohms
	Open circuit voltage:	Limited to < 2.8 V
	Input protection:	1000 V on all ranges (HI terminal)
DC current	Shunt resistance:	1 Ω for 10 mA, 100 mA 90 Ω for 100 μA, 1 mA 0.01 Ω for 1 A, 10 A
	Input protection:	Externally accessible at rear panel 0.4 A, 500 V fuse for I terminal Internal 11 A, 1000 V fuse for 10 A terminal
Continuity/diode test	Measurement method:	Uses 0.5 mA constant current source
	Response time:	Continuity: 165 samples/second with audible tone Diode: 190 samples/second with audible tone
	Continuity threshold:	10 Ω fixed
	Input protection:	1000 V (HI terminal)
Temperature	Measurement method:	2-wire Ohm's measurement of 5 kΩ thermistor sensor (YSI 4407) with computer conversion Auto-ranging measurement, no manual range selection
	Input Protection:	1000 V (HI terminal)
Measurement noise rejection	CMR (Common mode rejection) For 1 kΩ unbalance LO lead	DC 140 dB AC 70 dB
	NMR (Normal mode rejection) For 60 Hz (50 Hz) ± 0.1%	Slow mode 5½ digits 60 dB Medium mode 4½ digits 55 dB Fast mode 4½ digits 0 dB
AC voltage	Measurement method:	AC coupled true-rms – measures the AC component with up to 400 VDC bias any range
	Crest factor:	Maximum 3:1 at full scale
	Input impedance:	1 MΩ ± 2% in parallel with < 100 pF of all ranges
	Input protection:	750 V rms on all ranges (HI terminal)
AC current	Measurement method:	DC coupled to the fuse and current shunt; AC coupled true rms measurement (measures the AC component only)
	Shunt resistance:	1 Ω for 10 mA, 100 mA 0.01 Ω for 1 A, 10 A
	Input protection:	Externally accessible at rear panel 0.4 A, 500 V fuse for I terminal Internal 11 A, 1000 V fuse for 10 A terminal
Frequency	Measurement method:	Reciprocal counting technique. AC coupled input using AC voltage function.
	Signal level:	10% of range to full-scale input on all ranges except where noted. Auto or manual range selection
	Gate time:	0.1 second or 1 period of the input signal.
	Input protection:	750 V rms on all ranges (HI terminal)
Math functions	Null, dBm, dB, Min/Max/Avg, hold, limit test	
Data log	Info, list, histogram	
Triggering and memory	Samples per trigger:	1 to 5,000 (typical), 1 to 50,000 (optional)
	Trigger delay:	0 to 3600 sec (100 us step size)
Trigger out	3.3 V logic output Polarity:	Negative pulse
	Pulse width:	Approximately 3 μs
Non-volatile memory	50,000 readings	
Sample timer	Range:	Up to 3600 sec in 100 μs steps
Remote interface	USB 2.0 Standard, GPIB IEEE-488 (optional)	
Programming language	SCPI-1994.0, IEEE-488.2	

General characteristics

Table 8. General Characteristics

Specification measurement	Specification
Power supply	<ul style="list-style-type: none"> • 100 V/120 V(127 V)/220 V(230 V)/240 V \pm 10% • AC line frequency 45 Hz - 66 Hz and (360 Hz - 440 Hz, 100/120 V operation) • Automatically sensed at power -ON
Power consumption	45 VA maximum, < 11 W average
Operating environment	Full accuracy to 80% RH for 0 °C to 30 °C (non-condensing) Full accuracy to 40% RH for 30 °C to 55 °C (non-condensing) Altitude up to 3000 meters
Operating temperature	Full accuracy for 0 °C to 55 °C
Storage compliance	-40 °C to 70 °C
Measurement category	CAT II, 300 V: CAT I 1000 Vdc, 750 Vac rms, 2500 Vpk transient over voltages, Pollution degree 2
Safety and EMC	Refer to Declaration of Conformity for the latest revisions of regulatory compliance at: www.keysight.com/go/conformity
Shock and vibration	Tested to IEC/EN 60086-2
Dimension (HxWxD)	Rack: 88.5 mm x 212.6 mm x 272.3 mm Bench: 103.8 mm x 261.1 mm x 303.2 mm
Weight	3.75 kg (8.27 lb.)
Warm up time	90 minutes

Dimension

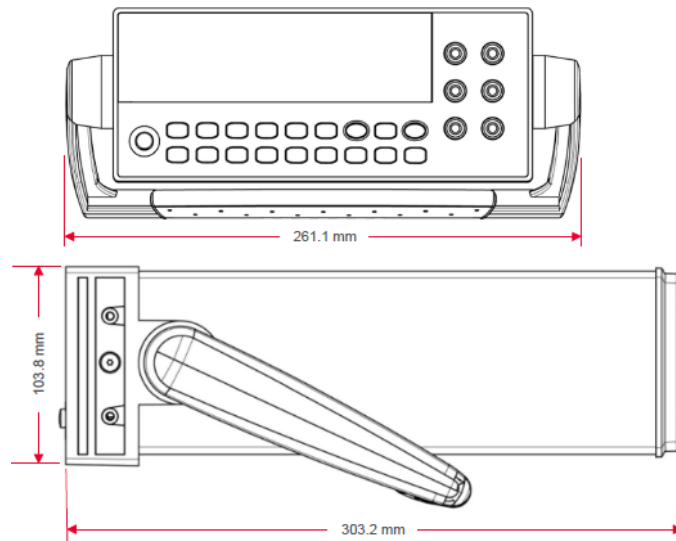


Figure 5. Product dimension

Standard shipped accessories

- Test lead set
- Power cord
- USB interface cable

Upgradable options

- 3445GPBU - GPIB connectivity upgrade
- 3445MEMU - 50,000 memory points upgrade for data logging

Keysight optional accessories



34138A test lead set



34190A rackmount kit: designed for use with only one instrument, mounted on either the left or the right side of the rack.



E2308A thermistor temperature probe



34191A 2U dual flange kit: secures the instrument to the front of the rack. This kit can be used with the 34194A dual lock link kit to mount two half-width, 2U height instruments side-by-side.



10833A/B/C/D/F/G GPIB cable in various lengths (0.5 m, 1 m, 2 m, 4 m, 0.5 m, 6 m and 8 m)



82357B USB/GPIB interface high-speed USB 2.0



34194A dual lock link kit: recommended for side-by-side combinations and includes links for instruments of different depths. This kit can be used with the 34191A 2U dual flange kit to mount two half-width, 2U height instruments side-by-side.



82350B PCI high-performance GPIB interface card

For more information

For more insights on how to achieve a breakthrough in throughput with 34450A digital multimeter, check the following links: www.keysight.com/find/34450A



Keysight enables innovators to push the boundaries of engineering by quickly solving design, emulation, and test challenges to create the best product experiences. Start your innovation journey at www.keysight.com.

This information is subject to change without notice. © Keysight Technologies, 2018 – 2023, Published in USA, October 12, 2023, 5991-1133EN