

## Technical Specifications

### Intrinsic safety

Baseefa03ATEX0429, BAS21UKEX0072 Ⓢ II (1)G [Ex ia Ga] IIC. The Chatterbox-e must be installed in the safe area and is suitable for connection to equipment in hazardous areas Zone 0, 1 or 2.

### Power

Tadiran SL750/S ½ AA Lithium cells. Part number EB025. Estimated battery life is in excess of 10 years based on all four channels operating and an input frequency of < 1 Hz.

### Enclosure

Weatherproof aluminium enclosure IP66 rated (equivalent to NEMA 4x) suitable for wall or panel mounting.

Size: 160mm Wide x 120mm High (including cable NG12 glands) x 62mm Deep.

### Input Signal I/P

Each input is designed to interface with the current sinking telemetry outputs from Dresser converters and other manufacturers of gas flow converters. The input will also interface directly with a volt-free contact closure, i.e., directly to a gas meter output. Contact de-bouncing is standard.

### WARNING

**Only positive voltages are permitted at inputs 1 to 4 when connecting active pulse devices.**

### Output Signal O/P

Each output is approximately a 220ms pulse, current sinking, capable of accepting up to 30Vdc, 130mA. Circuit is open when off, approximately 100ohm during the pulse.

The O/P connection is not polarity sensitive.

### Example connection.

A user supplied 5Vdc Logger/Energy Management System (EMS) can be connected to the output.

It may be necessary to fit a pull up resistor, typically 10k, and voltage supply if such is not included as standard as part of the internal circuit of the Logger/EMS.

When the Chatterbox-e pulses, the switch is made and the current momentarily sinks which triggers the users Logger/EMS device to register. Figure 4 refer.

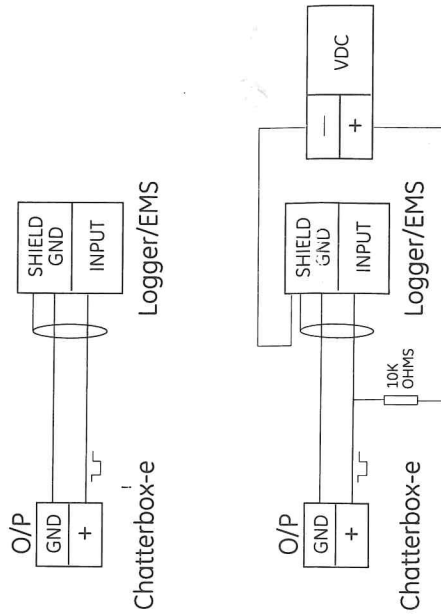


Figure 4